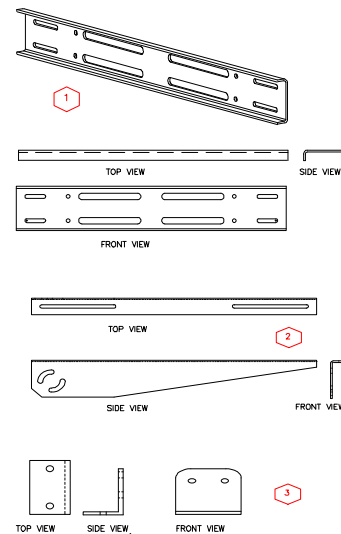
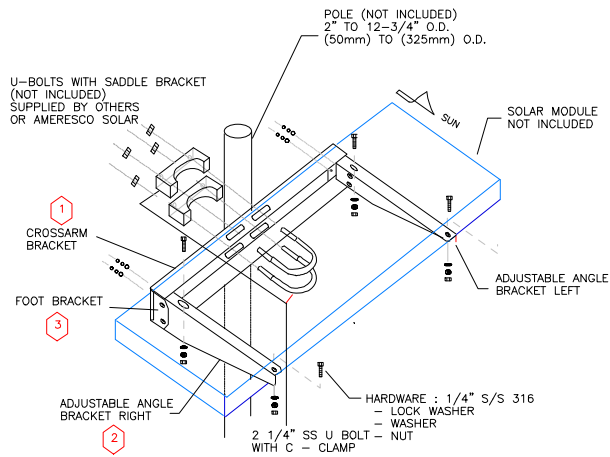




HPM 50U



MATERIAL: 5052- Aluminum Angle



