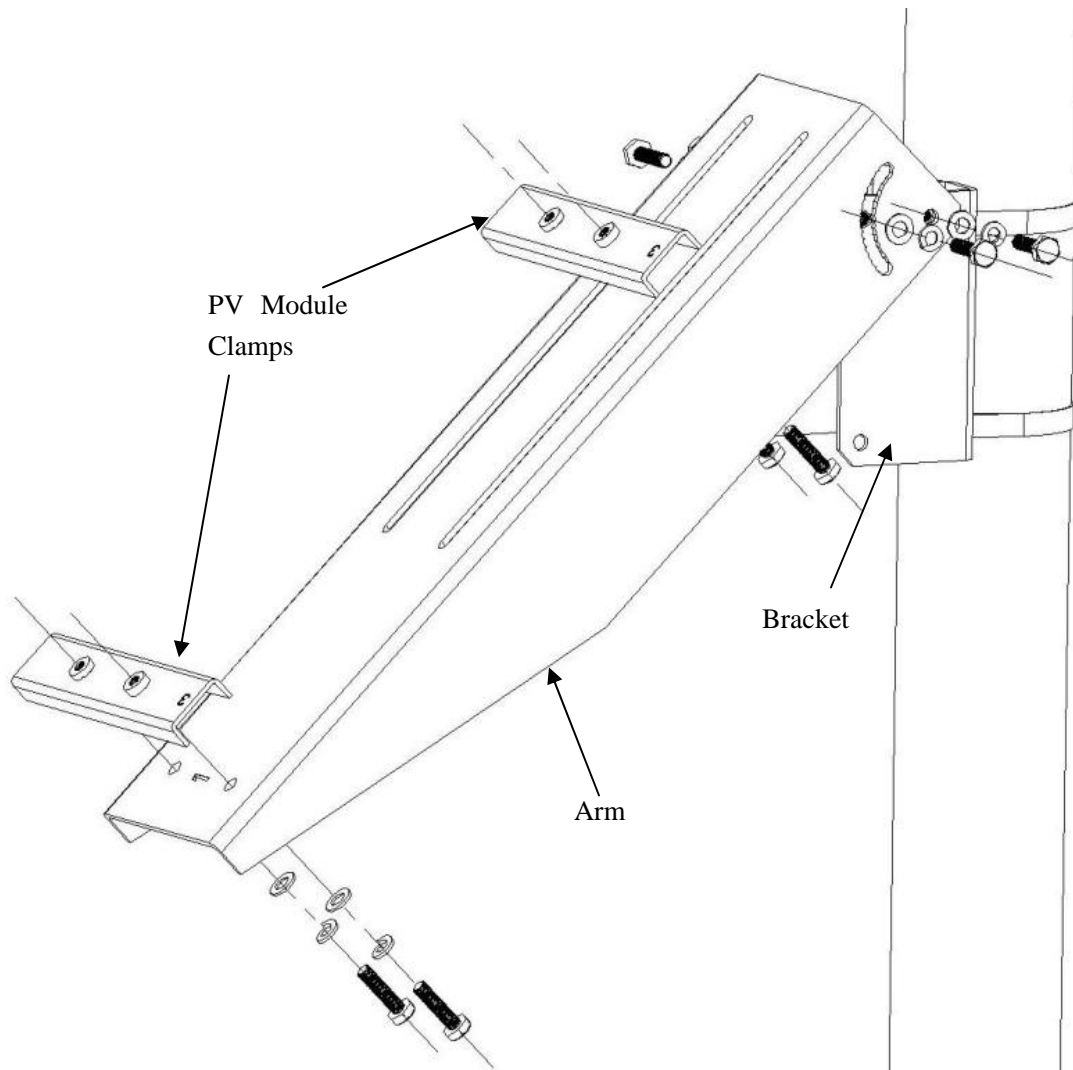


Solartech Power Universal Side-of-Pole Mount Installation Guide

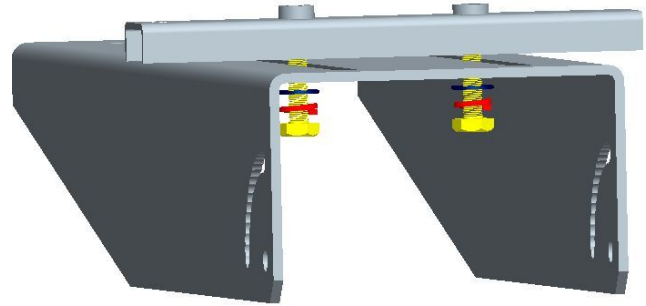


| Component List | | |
|--------------------------------------|-----|---------|
| Part | Qty | ID code |
| Bracket | 1 | 1 |
| Arm | 1 | 2 |
| PV Module Clamps | 2 | 3 |
| Hose Clamps | 2 | |
| M6 *25 hex-cap bolt for Bracket | 4 | |
| M6 *25 flat washer for Bracket | 8 | |
| M6 *25 split lock washer for Bracket | 4 | |
| M6 *25 hex nut for Bracket | 4 | |
| M6 *25 hex-cap bolt for Clamps | 4 | |
| M6 *25 flat washer for Clamps | 4 | |
| M6 *25 split lock washer for Clamps | 4 | |

Step 1 - mounting the arm to the PV module

Insert a bolt, washer and PV module clamp through one of the slots.

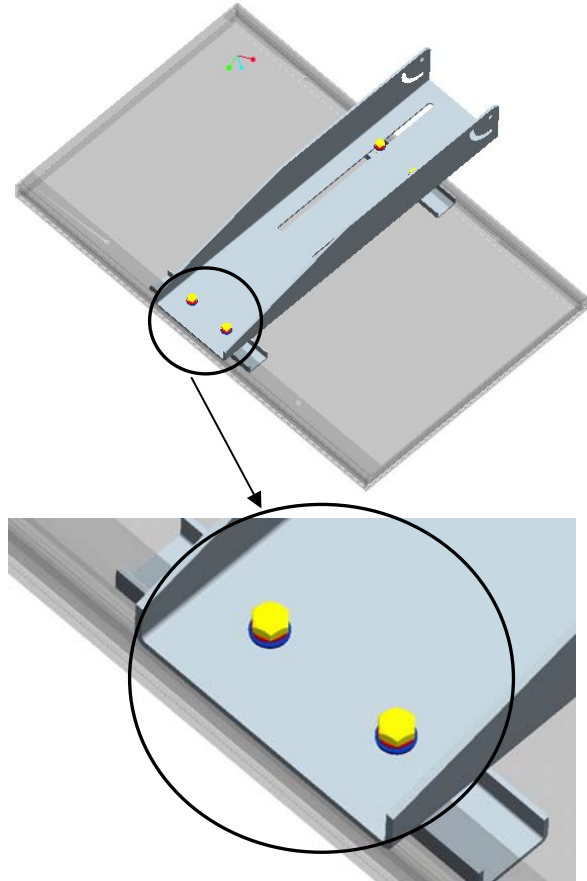
Place a washer, lock washer and hex nut on the end of the bolt, and tighten loosely.



Lay the PV Module face-down on a protected flat surface.

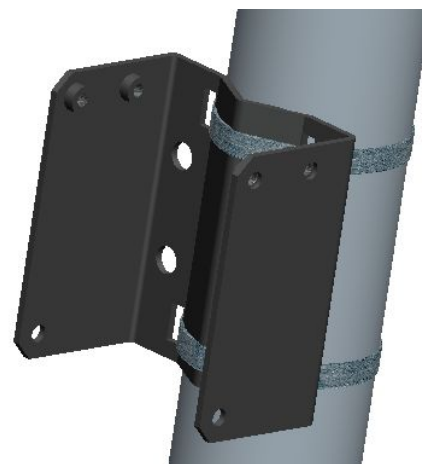
Center the arm on the back of the panel as shown and position the clamps under the edges of the module's flange.

Make sure that the clamp bolts are resting against the module's flange before tightening



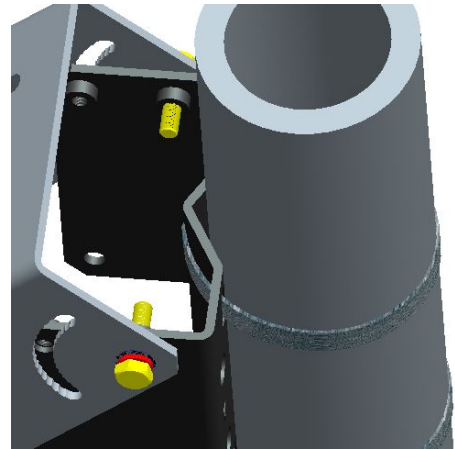
Step 2 - attaching the bracket to the pole

Thread each hose clamp through one of the sets of narrow center holes and place the bracket on the pole as shown.

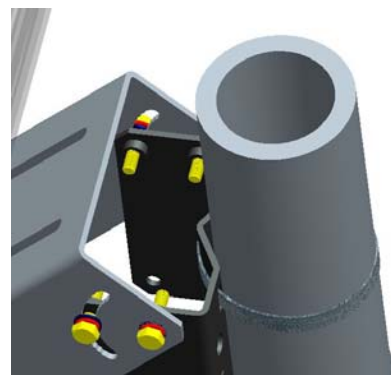


Step 3 - attaching the panel/arm assembly to the bracket

Insert the bolt and flat washer from the inside out



Insert another bolt and flat washer from the inside out.



Adjust the tilt of the panel as desired, and tighten the bolts

