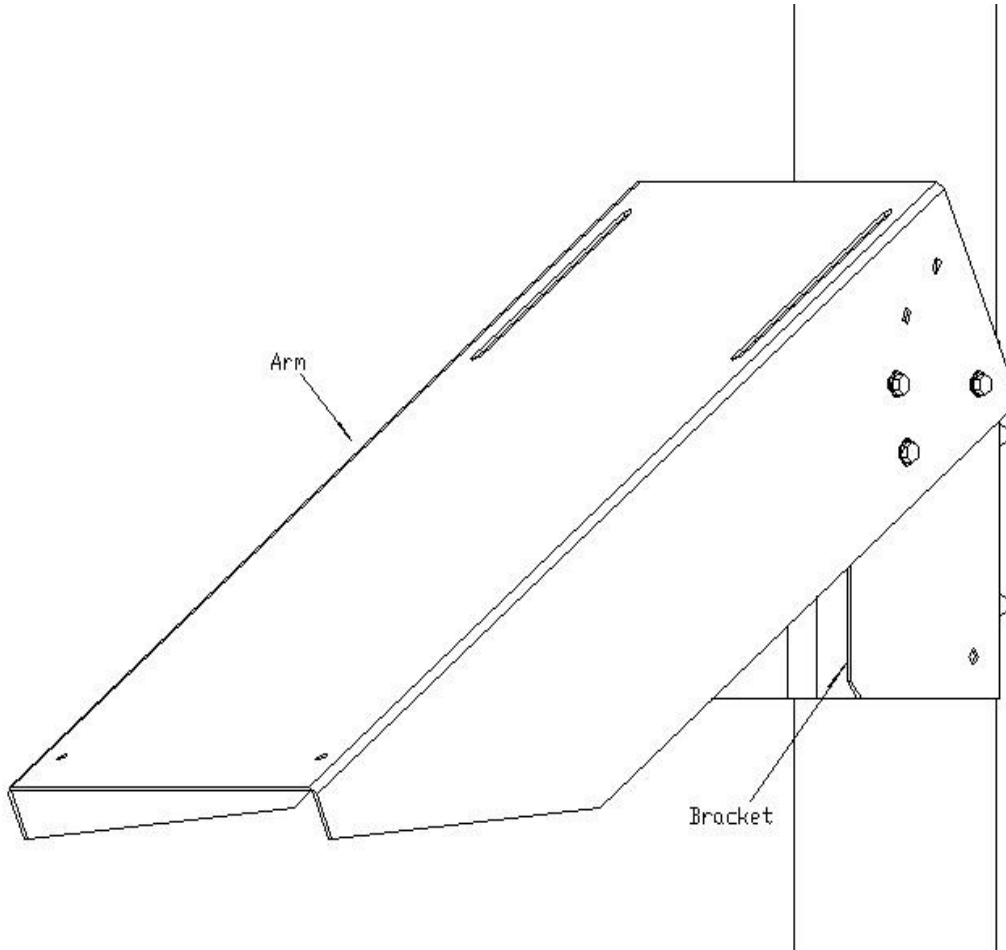


# Solartech Power Universal Side-of-Pole Mount Installation Guide

**MODEL: M-455B**

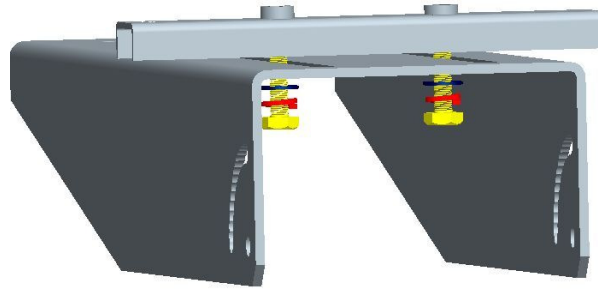


Component List		
Part	Qty	ID code
Bracket	1	1
Arm	1	2
压板	2	
M10 U 型螺丝	2	
M10 平垫片	4	
M10 弹簧垫片	4	
M6*16 螺丝	6	
M6 平垫片	10	
M6 弹簧垫片	10	
M6*25 螺丝	4	

### Step 1 - mounting the arm to the PV module

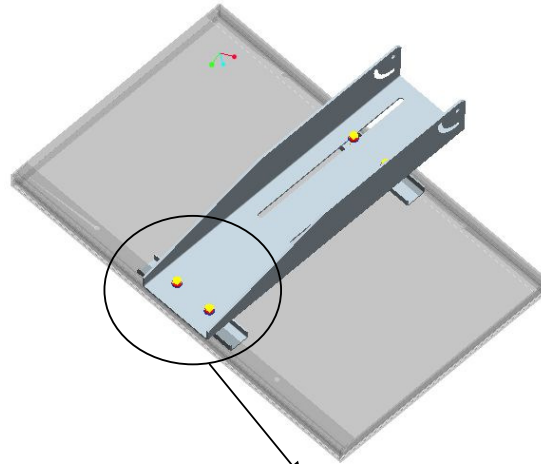
Insert a bolt, washer and PV module clamp through one of the slots.

Place a washer, lock washer and hex nut on the end of the bolt, and tighten loosely

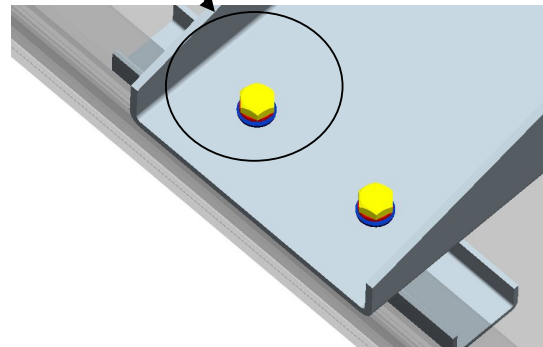


Lay the PV Module face-down on a protected flat surface.

Center the arm on the back of the panel as shown and position the clamps under the edges of the module's flange.

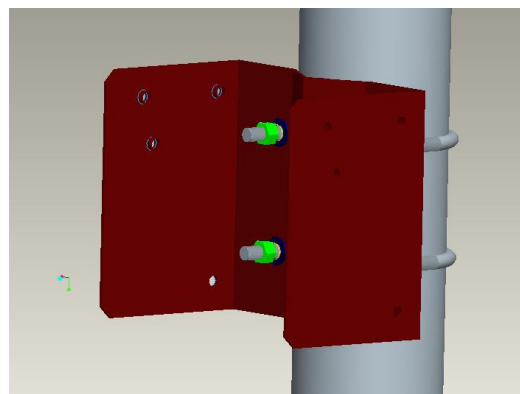


Make sure that the clamp bolts are resting against the module's flange before tightening



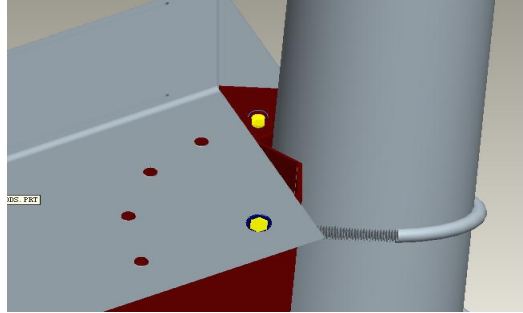
### Step 2 - attaching the bracket to the pole

Adjust the backing bracket to desire height and then attached the U-clamp on the pole as shown in picture.

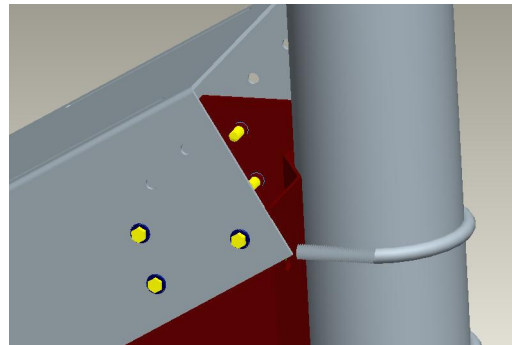


**Step 3 - attaching the panel/arm assembly to the bracket**

Insert the pivot bolt and flat washer first this will enable you to adjust the angle.



Adjust the arm piece to desire angle and insert the bolt from outside and insert the washer from inside and tighten the bolt. Make sure you have two sets on each side installed.



Adjust the tilt of the panel as desired, and tighten the bolts

